

**Pressure Gauges / Liquid Filled Pressure Gauges / CL 2.5 / Ø 63 mm.**

**CONSTRUCTIVE PROPERTIES**

	STANDARD	OPTIONAL
Mounting Type	Bottom Connection	See Technical Drawing
Scale Unit	bar/psi	bar   kg/cm <sup>2</sup>   psi
Scale Range (PN)	0/0,6   0/1   0/1,6   0/2,5   0/4   0/6   0/10   0/16   0/25   0/40   0/60   0/100   0/160   0/250   0 - 315   0/400   0/600	
Vacuum Scale Range	-1 / +15   -1 / +24   -1 / 0   -1 / +0,6   -1 / +1,5   -1 / +3   -1 / +5   -1 / +9	
Case	Stainless Steel AISI-304	-
Bezel	Stainless Steel AISI-304	-
Window	Polycarbonate	-
Movement	Brass	-
Wetted Parts	Copper Alloy	-
Connection	G 1/4" B	1/4" NPT
Dial	Aluminum	-
Pointer	Plastic	Aluminum
Welding	Soldering	Special Welding   Hard Soldering
Filling Liquid	Glycerine	Silicon Oil

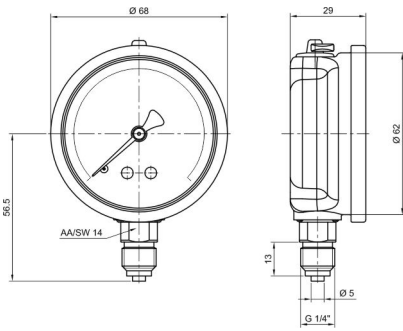


**MG063GRS1**

**USAGE PROPERTIES**

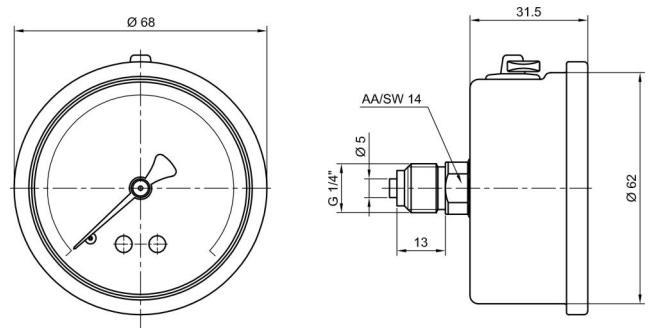
Fluid Temperature	Maximum + 60 °C	Maximum + 120 °C
Ambient Temperature	- 20 ... + 60 °C	-
Operating Pressure (max.)	Must not exceed %75' of full scale.	
Over Pressure Limit	≤40 bar PN x 1.25   >40 bar PN x 1.15	
Accuracy Class	CL 2.5	CL 1.6
Protection Rate	IP 65	IP 68
Storage Temperature	-40 ... +70 °C	-
Conformity	EN 837 - 1	ATEX 94/9/EC
Mechanical Shock Test Load	15g	-
Mechanical Vibration Test	10 Hz ile 150 Hz -1 oktav/dk. 2s / 3 eksende	

Pressure Gauges / Liquid Filled Pressure Gauges / CL 2.5 / Ø 63 mm.



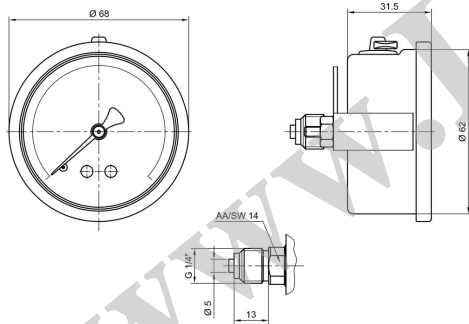
Model No: MG063GRS1

Bottom Connection



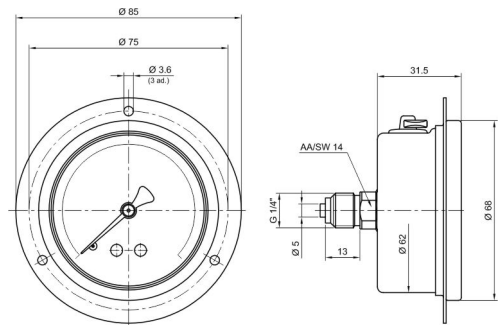
Model No: MG063GRS2

Back Connection



Model No: MG063GRS3

Back Connection Panel Mounted



Model No: MG063GRS8

Back Connection with Front Flange